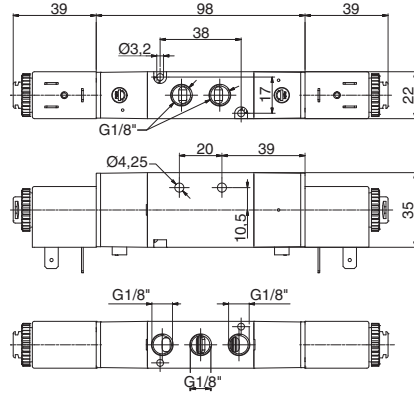


Solenoid - Solenoid - 5/2

Ordering code
8880.52.00.35.V
VOLTAGE
F05=24 V DC
F56=24 V (50-60 Hz)
F57=110 V (50-60 Hz)
F58=220 V (50-60 Hz)
F00=Without coil



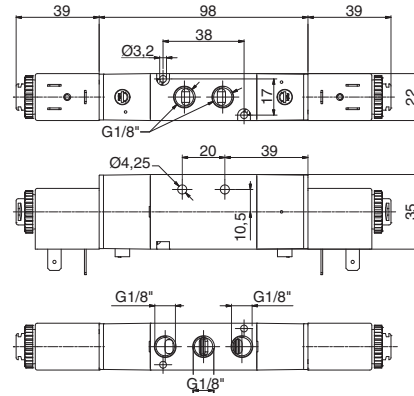
Weight gr. 320
Minimum working pressure 2 bar



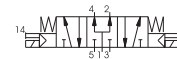
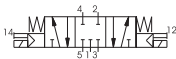
Operating Characteristics	Fluid	Max working pressure (bar)	Operating Temperature °C	Flow rate at 6 bar with Δp=1 (l/min)	Orifice size (mm)	Working port size
		Filtered and lubricated air	8	-5 ÷ +50	790	5,8

Solenoid - Solenoid - 5/3

Ordering code
8880.53.F.35.V
FUNCTION
F31=Closed centres
F32=Open centres
F33=Pressured centres
VOLTAGE
F05=24 V DC
F56=24 V (50-60 Hz)
F57=110 V (50-60 Hz)
F58=220 V (50-60 Hz)
F00=Without coil



Weight gr. 330
Minimum working pressure 2,5 bar



Operating Characteristics	Fluid	Max working pressure (bar)	Operating Temperature °C	Flow rate at 6 bar with Δp=1 (l/min)	Orifice size (mm)	Working port size
		Filtered and lubricated air	8	-5 ÷ +50	440	5,8