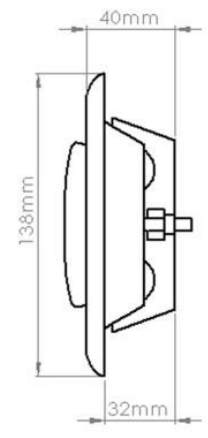
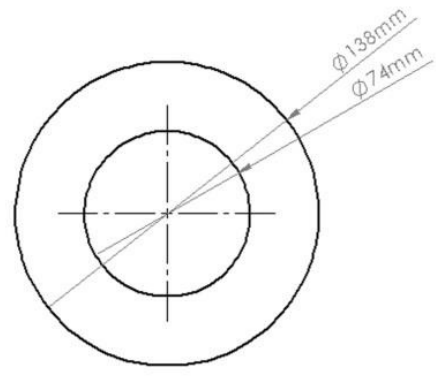


PRODUCT DATA SHEET
MW104FRE
FIRE RATED EXTRACT VALVE

ducting express

W RAL9010



SPECIFICATION DETAILS

The MW104FRE 100mm diameter Round Fire Rated Extract Valve is manufactured from White Epoxy Powder Coated Steel. The valve has a male spigot to fit inside the System 100 duct.

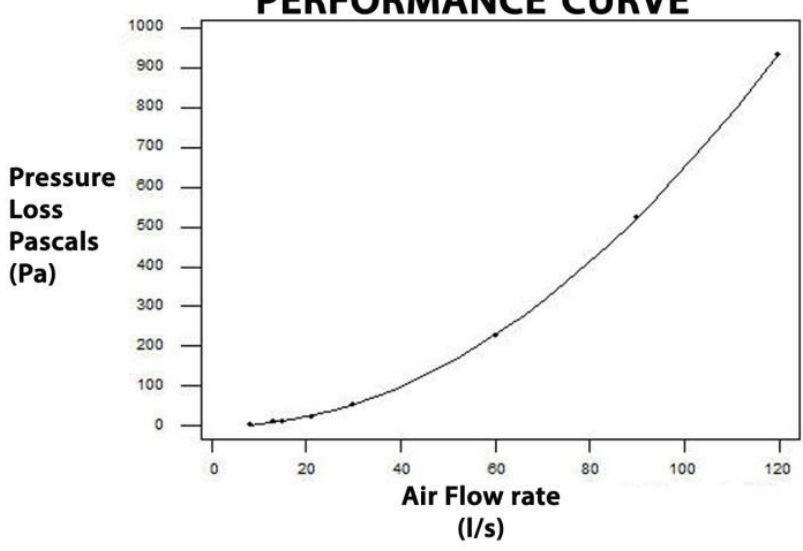
The MW104FRE Extract Air Valve is fully adjustable and has a locking nut to fix the position of the control disc upon commissioning. It is supplied complete with a fixing body with pre-drilled holes for installation.

The MW104FRE incorporates an integral intumescent material and has been fire tested to BS EN 1365-2: 1999 with 60 minute rating for ceilings.

MW104FRE has been designed for use with Verplas System 100 Round.

Manufacturer:	Verplas Ltd
Part Number:	MW104FRE
Size:	100mm Diameter
For use with:	Verplas System 100
MAX/MIN OPERATING TEMPERATURES	+ 60°C to - 15°C
Individual Weight:	272g
Colour:	Silver

PERFORMANCE CURVE



*Pressure losses with Control Disk 10mm open

AIRFLOW	RESISTANCE
8 l/s	5.00 pa
13 l/s	10.00 pa
21 l/s	22.80 pa
30 l/s	53.70 pa
60 l/s	228.00 pa
120 l/s	935.00 pa

Associated Ancillaries

