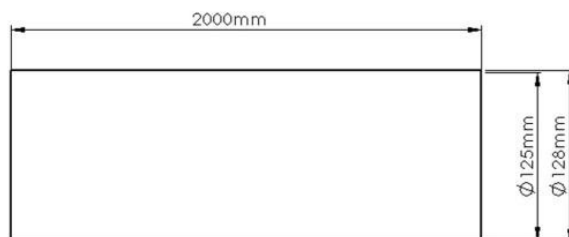
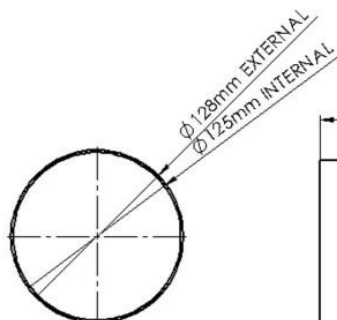


# PRODUCT DATA SHEET

## VKC2692

2 METRE ROUND PIPE

# ducting express



## SPECIFICATION DETAILS

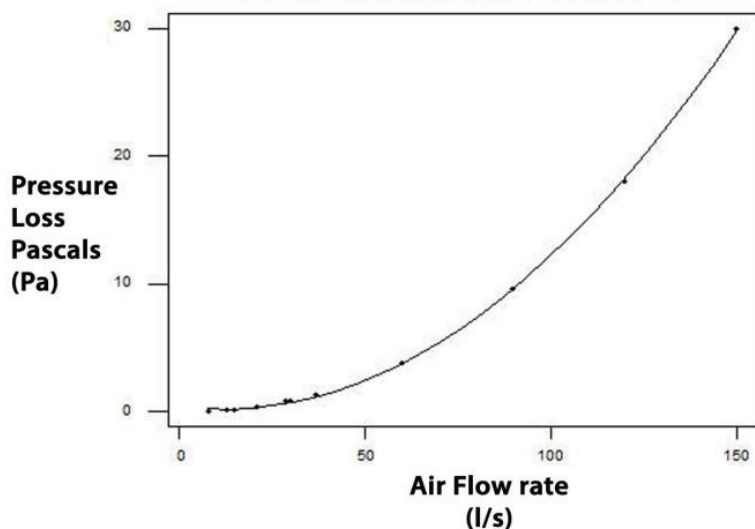
The 125mm diameter 2m Round Pipe is manufactured from Rigid PVCu. The Round Pipe has a minimum free area of 12,273mm<sup>2</sup> and fits over the male spigot of the System 125 fittings.

System 125 Round Pipe is manufactured in compliance with Domestic Plastic Ductwork Specification DW/154 and will meet UL94VO flammability standard.

Round Pipe has been designed for use with Verplas System 125 Round.

<b>Manufacturer:</b>	Verplas Ltd
<b>Part Number:</b>	VKC2692
<b>Size:</b>	125mm Diameter
<b>For use with:</b>	Verplas System 125
<b>MAX/MIN OPERATING TEMPERATURES</b>	+ 60°C to - 15°C
<b>Individual Weight:</b>	2030g
<b>Colour:</b>	White

## PERFORMANCE CURVE



AIRFLOW	RESISTANCE
8 l/s	0 pa
13 l/s	0.10 pa
21 l/s	0.40 pa
30 l/s	0.86 pa
60 l/s	3.80 pa
120 l/s	18.00 pa

## Associated Ancillaries

