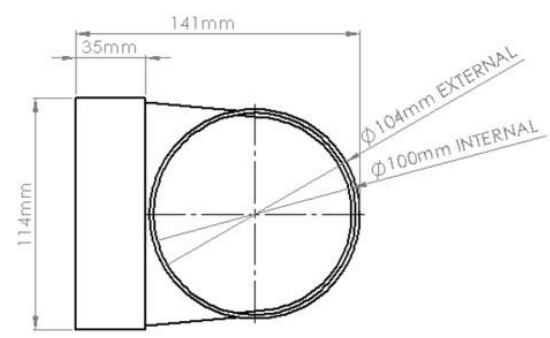
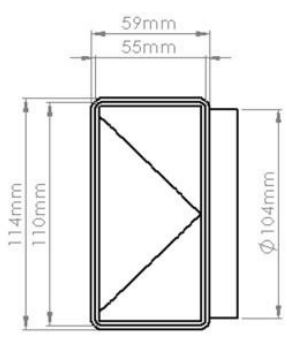


PRODUCT DATA SHEET



VKC236

RECTANGULAR FEMALE 90° ELBOW BEND



SPECIFICATION DETAILS

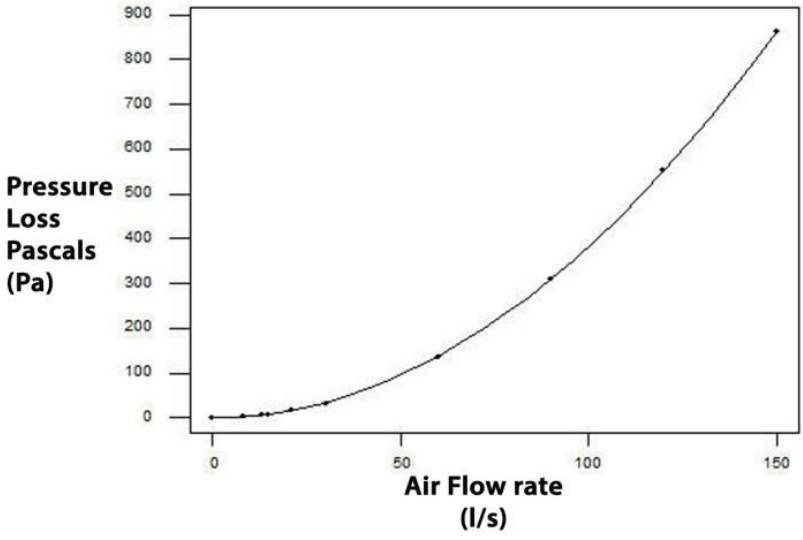
The VKC236 110x54mm Rectangular Female Elbow Bend with 100mm diameter Spigot is manufactured from (white) Polypropylene. The 110x54mm rectangular end has a minimum free area of 5,424mm² with a female adaptor for connection outside of the System 110 duct. The 100mm diameter round end has a minimum free area of 7,283mm².

VKC236 is manufactured in compliance with Domestic Plastic Ductwork Specification DW/154 and does meet UL94HB flammability standard.

VKC236 has been designed for use with Verplas System 110.

Manufacturer:	Verplas Ltd
Part Number:	VKC236
Size:	110mm x 54mm to 100mm Diameter
For use with:	Verplas System 110
MAX/MIN OPERATING TEMPERATURES	+ 60°C to - 15°C
Individual Weight:	80g
Colour:	White

PERFORMANCE CURVE



AIRFLOW	RESISTANCE
8 l/s	3.00 pa
13 l/s	6.50 pa
21 l/s	19.00 pa
30 l/s	32.20 pa
60 l/s	136.40 pa
120 l/s	554.00 pa

