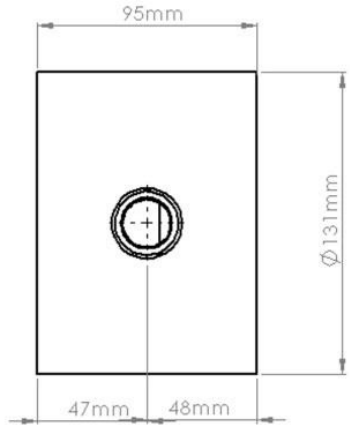
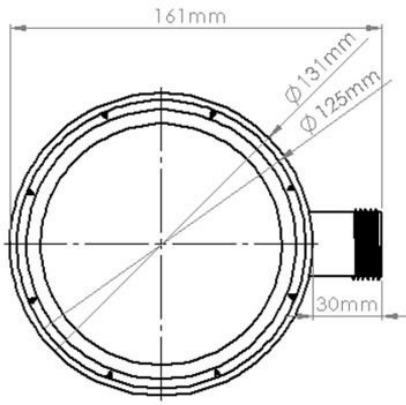


**PRODUCT DATA SHEET**

**VKC445**

**CONDENSATION TRAP WITH OVERFLOW**



**SPECIFICATION DETAILS**

The VKC445 125mm diameter Condensation Trap is manufactured from (grey) PVC and has a minimum free area of 8,561mm<sup>2</sup>. It has a female adaptor for connection to our System 125 Round Ducting using two VKC355 Connectors.

The Condensation Trap is installed at the lowest point in vertical rises where moisture from condensation can occur. The VKC445 captures any moisture running down the inside of the duct and is drained via a 22mm overflow pipe connector.

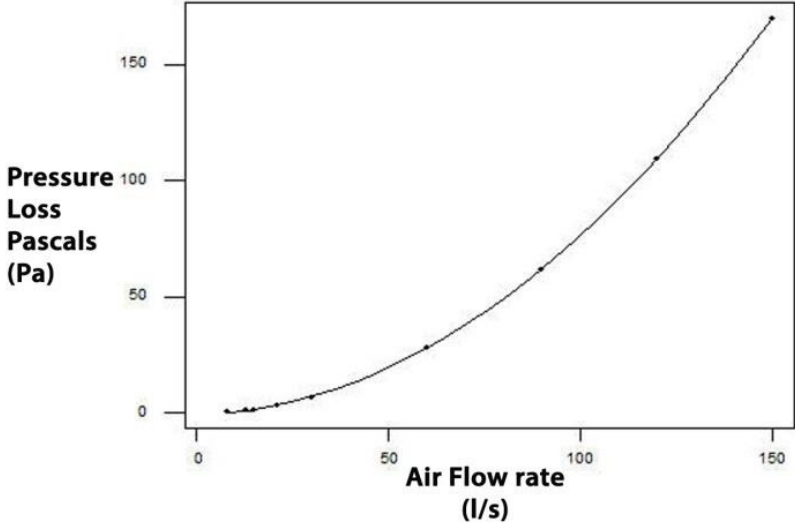
VKC445 is manufactured in compliance with Domestic Plastic Ductwork Specification DW/154 and does meet UL94HB flammability standard.

VKC445 has been designed for use with Verplas System 125 Round.

<b>Manufacturer:</b>	Verplas Ltd
<b>Part Number:</b>	VKC445
<b>Size:</b>	125mm Diameter
<b>For use with:</b>	Verplas System 125
<b>Box quantity:</b>	10
<b>Individual Weight:</b>	160g
<b>Colour:</b>	Grey

<b>MAX/MIN OPERATING TEMPERATURES</b>	+ 60°C to -15°C
---------------------------------------	-----------------

**PERFORMANCE CURVE**



AIRFLOW	RESISTANCE
8 l/s	0.30 pa
13 l/s	1.00 pa
21 l/s	3.00 pa
30 l/s	6.70 pa
60 l/s	28.00 pa
120 l/s	110.00 pa

**Associated Ancillaries**



01455 616 444

Ducting Express Services Ltd  
7 Claymill Road, Thurmaston, Leicester, LE4 9JJ

info@ducting-express.co.uk

www.ducting-express.co.uk