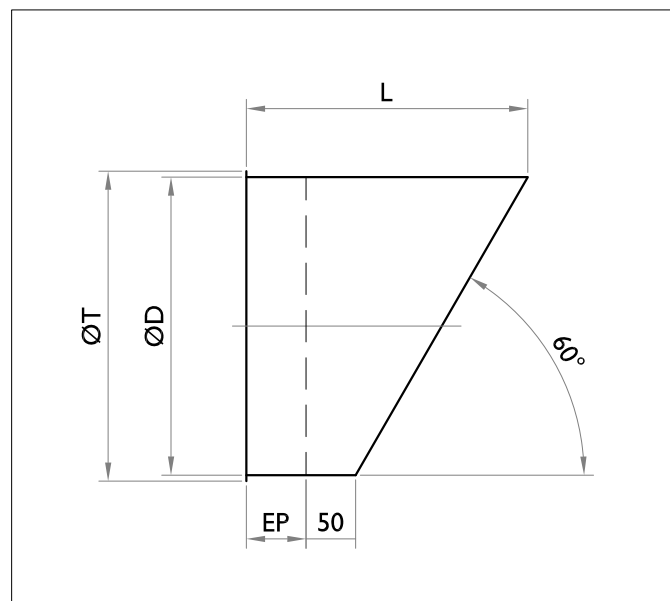


ducting express

Express Duct Bird Beak With Mesh

Diameter (D) mm	Over Turnout (T) mm	End Piece (EP) mm	Overall Length (L)mm
80	92	40	136
100	112	40	148
125	137	40	162
150	162	40	177
160	172	40	182
180	192	40	194
200	212	40	205
224	236	40	219
250	262	60	254
300	312	60	283
315	327	60	292
350	362	60	312
400	412	80	361
450	462	80	390
500	512	80	419



Designed to provide a smoother internal bore & simply clip the components together, Express Duct will save time on installation & make replacing parts simple. This ducting can be easily dismantled for cleaning purposes & replacing worn parts. The use of the quick clamps reduces leakage, this results in improved airflow.