

Series SFCD Small format circular diffusers

- High capacity diffusers designed for large open plan areas
- Integrated volume control damper
- Spun aluminium construction
- Polyester powder coating to any RAL or BS colour available
- Held in stock in RAL9010 and satin anodised for immediate delivery



Series SFCD

Series SFCD small format circular diffusers are high capacity supply terminals, designed to suit large open plan areas like gyms and bars.

The concentric circular core pattern spreads air in all directions, perfect for installations requiring a non targeted, well diffused throw.

Comprising a spun aluminium outer frame and inner core, there is an integrated butterfly damper mounted behind the core, allowing for airflow to be trimmed to suit requirements.

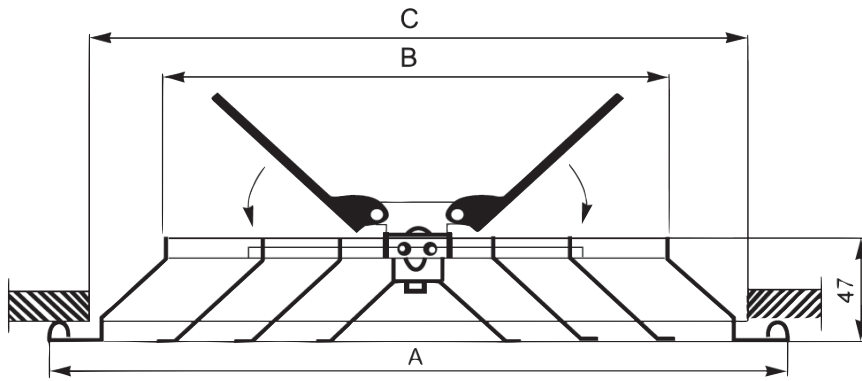
Supplied complete with a mounting bar and required screws to facilitate fitting into plasterboard ceilings.



Design features

Material	Spun aluminium outer frame and core Galvanised steel mounting bar Plastic butterfly damper
Sizes	See overleaf
Core	Removable
Finish	RAL9010 and satin anodised held in stock Optional: See pages 4 Butterfly dampers are supplied in black regardless of diffuser colour

Technical drawings



SIZE	DIMENSIONS (mm)		
	A	B	C
150	258	144	225
200	310	198	280
250	359	246	325
300	417	295	380
350	473	349	435

Finish

Satin anodised aluminium
Polyester powder coating to any RAL or BS colour



Ordering codes

Example

1 - 200 dia - SFCD - RAL9010

Codes

- 1) **Quantity**
- 2) **Size (mm)** (diameter) Nominal diameter
- 3) **Series** SFCD Small format circular diffuser
- 4) **Finish** SAA Satin anodised aluminium
RAL... Polyester powder coated to RAL...
BS... Polyester powder coated to BS...